

LT84672ME

DESCRIPTION: Heavy Duty High Flow Reel Assembly

Heavy Duty Reel Assembly; Spring powered reel; 3/4" NPT (F) Inlet and Outlet Order Connecting Hose

Separately **Additional Information and Specifications:** Includes steel rollers and Heavy Steel Mounting Base.

Specifications:

Type: Medium Pressure: 2000 PSI
Inlet / Outlet: 3/4" (19MM)
Sheath Width Outside to Outside: 5-1/2" (approx-13.97CM)
Sheath Width Inside to Inside: 4-7/8" (approx)(12.4CM)
Sheath Depth: 4-3/4" (12.1CM)
Diameter of Sheath: 19-1/2" (49.5CM)
Base: 12-3/4" (32.4CM) x 6" (15.24CM)
Base Thickness: 1/4" Plate Steel with 4 3/8" (11.1CM) DIA mounting holes for easy mounting of the base to any support column, rafter or floor
Length of Arm: 15" (38.1CM)
Solid Metal Rollers with a diameter of: 2-1/8" (5.4CM) x 2-1/8" (5.4CM)

Applications: Oil, ATF, Antifreeze, Water, Air

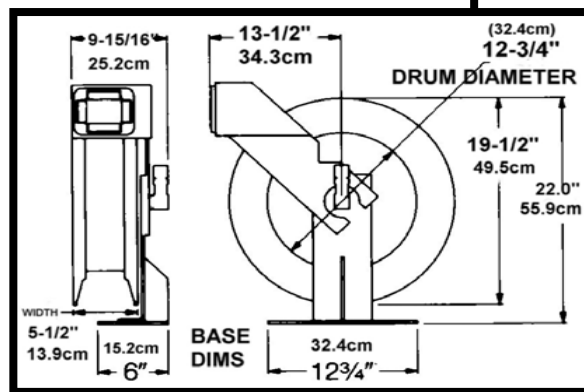
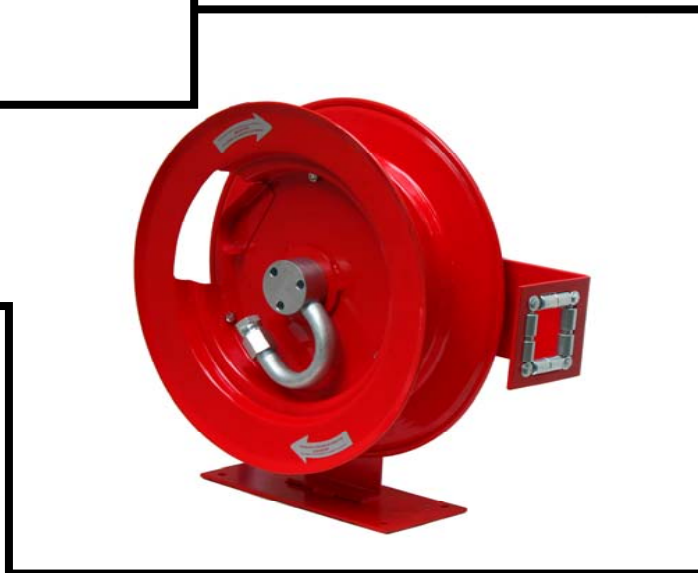
Carries Hose:

- SAE100R3 73 50 FT (15.2mtrs)
- SAE100R1 78 25 FT (15.2mtrs) 3/4" ID X 1-1/4" OD
- SAE 100R3 74A 40 FT (12.2mtrs)
- SAE100R6 74 50 FT (15.2mtrs)

BOX Weight: 80LBS

BOX Dimensions: 24" x 24" x 16" (61cm x 61cm x 40.6cm)

Application: Installed Lube in Garage, Maintenance Facility, Quick Lube, Industrial, Factory, Mines, Mining Vehicle, Service Vehicle, Lube Truck



WILLMAR INTERNATIONAL LLC / LUBE TECHNOLOGY
P.O. BOX 456; ADA, MI. 49301 USA
TEL: 616-676-1792; FAX: 616-676-1287
Contact: willmarllc@gmail.com
Website: <http://www.iserv.net/~wmogradylube.html>



WILLMARLUBE
P.O. BOX 456; ADA, MI. 49301 USA
TEL: 616-676-1792; FAX: 616-676-1287
Contact: sales@willmarlube.com
Website: <http://www.willmarlube.com>