

# LT83135ME

## DESCRIPTION: Heavy Duty High Pressure Grease Reel Assembly

**Grease Reel Assembly** (Heavy Duty Reel LT83135ME(specs stated below)); Includes 40ft(12.2mtrs) x 1/4" Grease Delivery Hose; Swivel on the Reel; Ball Stop; and Grease Control Valve LT740ME; Hose Connections: 1/2"NPT(f)

**Heavy Duty Basic Reel:** Includes Swivel on the Reel; No Delivery Hose; No Connecting Hose; No Control Valve; Hose Connections: 1/2"NPT(f); **Additional Information and Specifications:** Heavy Duty Reel for Grease, Oil, Antifreeze, Water, Air with steel rollers and Heavy Steel Mounting Base.

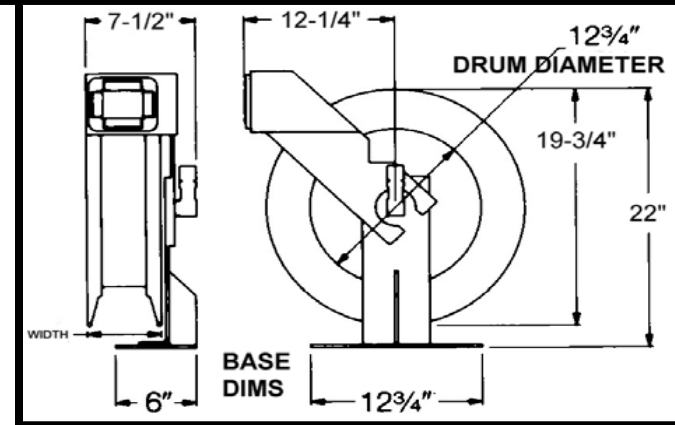
### Specifications:

Type: High Pressure: 5000 PSI  
Inlet / Outlet: 1/2"(1.27CM)  
Sheath Width Outside to Outside: 4-1/2" (approx)11.43CM)  
Sheath Width Indside to Inside: 4.0" (approx)(10.2CM)  
Sheath Depth: 4.0"(10.2CM)  
Diameter of Sheath: 20"(50.8CM)  
Base: 12-3/4"(32.4CM) x 6"(15.24CM)  
Base Thickness: 1/4" Plate Steel with 4 3/8"(11.1CM) DIA mounting holes for easy mounting of the base to any support column, rafter or floor  
Length of Arm: 15"(38.1CM)  
Solid Metal Rollers with a diameter of: 2-1/8"(5.4CM) x 2-1/8"(5.4CM)  
Applications: Grease, Oil, ATF, Antifreeze, Water, Air  
Carries Hose: SAE 100R2 75 50 FT(15.2mtrs)  
SAE 100R2 76A 50 FT(15.2mtrs)  
SAE 100R2 76B 50 FT(15.2mtrs)  
SAE100R3 73 50 FT(15.2mtrs)  
SAE100R1 78 50 FT(15.2mtrs)  
SAE 100R3 74A 40 FT((12.2mtrs)

**BOX Weight:** 80LBS(36.3KG)

**BOX Dimensions:** 24" x 24" x 16" (61cm x 61cm x 40.6cm)

**Application:** Installed Lube in Garage, Maintenance Facility, Quick Lube, Industrial, Factory, Manufacturing



**WILLMAR INTERNATIONAL LLC / LUBE TECHNOLOGY**  
P.O. BOX 456; ADA, MI. 49301 USA  
TEL: 616-676-1792; FAX: 616-676-1287  
Contact: [willmarllc@gmail.com](mailto:willmarllc@gmail.com)  
Website: <http://www.iserv.net/~wmogradylube.html>



"Doing Business with the World"

**WILLMARLUBE**  
P.O. BOX 456; ADA, MI. 49301 USA  
TEL: 616-676-1792; FAX: 616-676-1287  
Contact: [sales@willmarlube.com](mailto:sales@willmarlube.com)  
Website: <http://www.willmarlube.com>