

LT82987-1ME

DESCRIPTION: Heavy Duty High Flow FUEL Reel ONLY

Heavy Duty Reel Assembly; Spring powered reel; 3/4" NPT (F) Inlet and Outlet Order Connecting Hose Separately
Additional Information and Specifications: Includes steel rollers and Heavy Steel Mounting Base.
Specifications:

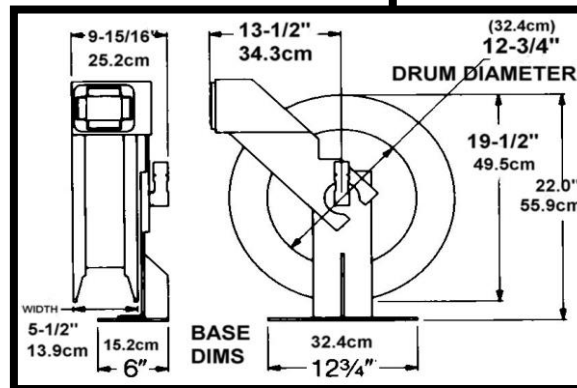
- Type: Medium Pressure: 2000 PSI
- Inlet / Outlet: 3/4"(19MM)
- Sheath Width Outside to Outside: 5-1/2" (approx-13.97CM)
- Sheath Width Inside to Inside: 4-7/8" (approx)(12.4CM)
- Sheath Depth: 4-3/4"(12.1CM)
- Diameter of Sheath: 19-1/2"(49.5CM)
- Base: 12-3/4"(32.4CM) x 6"(15.24CM)
- Base Thickness: 1/4" Plate Steel with 4 3/8"(11.1CM) DIA mounting holes for easy mounting of the base to any support column, rafter or floor
- Length of Arm: 15"(38.1CM)
- Solid Metal Rollers with a diameter of: 2-1/8"(5.4CM) x 2-1/8"(5.4CM)
- Applications: Oil, ATF, Antifreeze, Water, Air
- Carries Hose:
 - SAE100R3 73 50 FT(15.2mtrs)
 - SAE100R1 78 25 FT(7.6 mtrs) 3/4"ID X 1-1/4" OD
 - SAE 100R3 74A 40 FT (12.2mtrs)
 - SAE100R6 74 50 FT(15.2mtrs)



BOX Weight: 80LBS

BOX Dimensions: 24" x 24" x 16" (61cm x 61cm x 40.6cm)

Application: Installed Lube in Garage, Maintenance Facility, Quick Lube, Industrial, Factory, Mines, Mining Vehicle, Service Vehicle, Lube Truck



WILLMAR INTERNATIONAL LLC / LUBE TECHNOLOGY
P.O. BOX 456; ADA, MI. 49301 USA
TEL: 616-676-1792; FAX: 616-676-1287
Contact: willmarllc@gmail.com
Website: <http://www.iserv.net/~wmograpy/lube.html>



"Doing Business with the World"

WILLMARLUBE
P.O. BOX 456; ADA, MI. 49301 USA
TEL: 616-676-1792; FAX: 616-676-1287
Contact: sales@willmarlube.com
Website: <http://www.willmarlube.com>